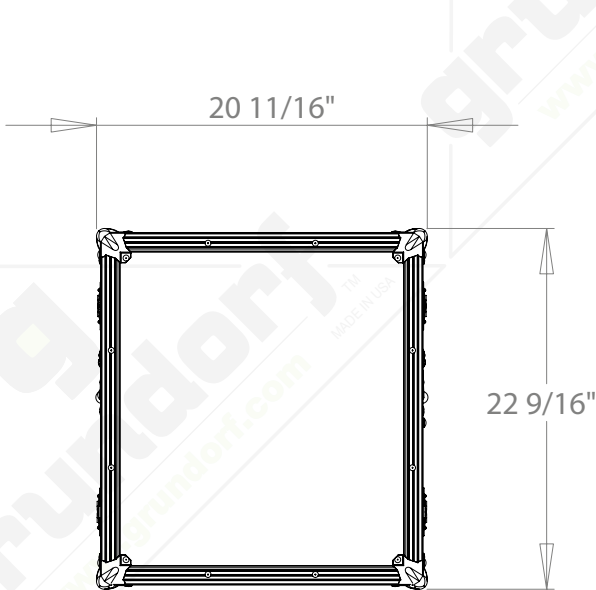
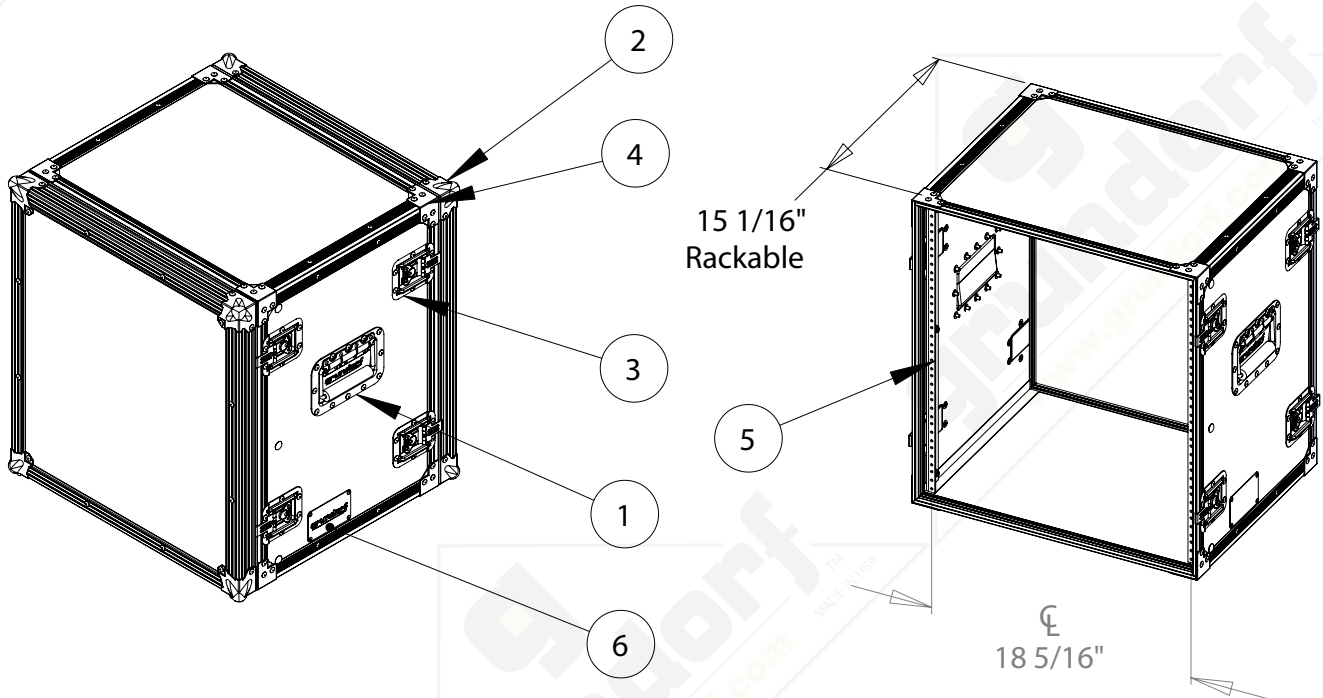
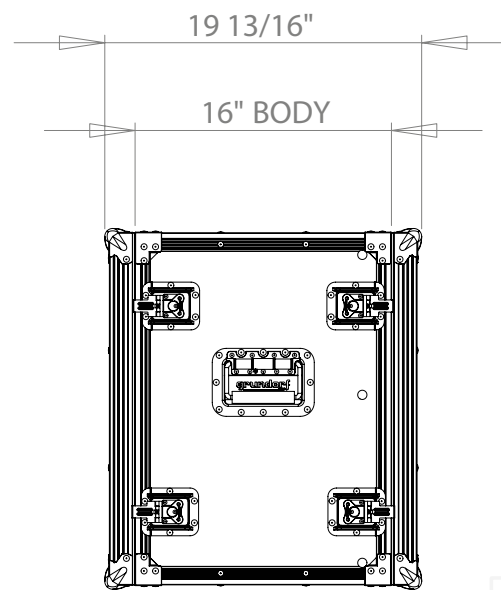


#	QTY.	PART NUMBER	DESCRIPTION
1	2	31-005	HANDLE - RECESSED/LOGO/ZINC
2	8	32-018	CORNER - BALL W/BRACE/OFFSET
3	8	34-009	CATCH - VALANCE SPANNER
4	8	35-007	CLAMP - SMALL/OFFSET
5	2	41-012	RACK RAIL-12 SPACE
6	1	83-011	BADGE - GRUNDORF TOUR 4 SERIES



Front View



Side View